

## FUMECADDIE™

### MOBILE EXTRACTION UNIT

Mobile extraction unit with a single phase fan, 33 ft (10 m) of 4 in. (100 mm) hose and REN extraction nozzle suitable for vehicle exhaust gasses with temperatures less than 470°F (200°C)\*.

\* provided that the nozzle square surface is twice the exhaust square surface.



### APPLICATIONS

The FumeCaddie™ is intended to be used for the following applications:



- To eliminate hazardous vehicle exhaust emissions with our vehicle exhaust capture and removal systems for the following segments: fire and emergency stations, workshops and military facilities.

### SPECIFICATIONS

#### Physical dimensions and properties

Material cart	powder coated galvanized steel
Color	basalt grey RAL 7011
Weight	approx. 50 lbs (23 kg) (incl. hose)
Dimensions	27 x 16 x 42 in. (690 x 407 x 1067 mm)

#### Ambient conditions

Operating temperature:	<ul style="list-style-type: none"> <li>• min. -4°F (-20°C)</li> <li>• nom. 68°F (20°C)</li> <li>• max. 104°F (40°C)</li> </ul>
Max. relative humidity	80%
Outdoor use allowed	no
Storage conditions	<ul style="list-style-type: none"> <li>• -4 - 104°F (-20 - 40°C)</li> <li>• relative humidity max. 80%</li> </ul>

#### Options and accessories

Nozzles | Hoses

#### Where used

Combustion engines with engines <10 ltr (trucks equipped with EGR excluded)

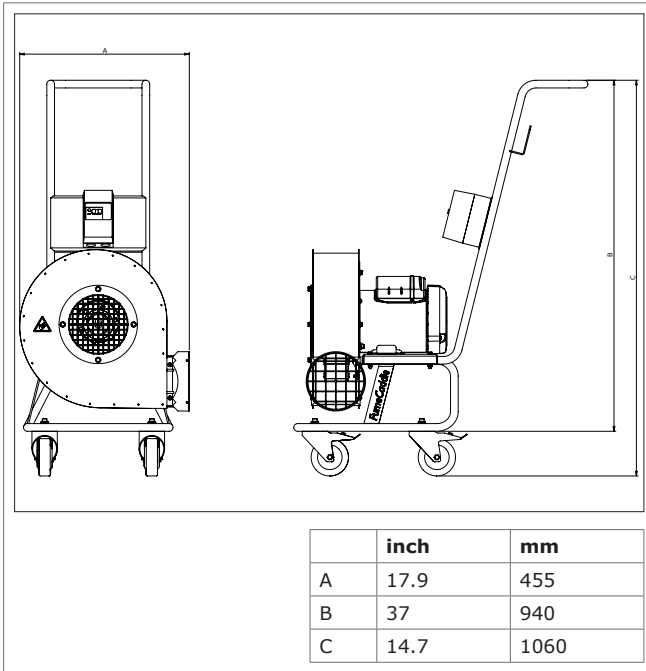
#### Scope of supply

Nozzle REN 100-160 | FUA 1800 | start/stop with thermal breaker | FumeCaddie™ cart | EG2 hose

### Order information

Article no.	<ul style="list-style-type: none"> <li>• light duty • 0000006156</li> <li>• light duty with (2) "Y" hose • 0000006157</li> <li>• heavy duty • 0000006158</li> <li>• heavy duty with (2) "Y" hose • 0000006159</li> </ul>
Number/package	1
<b>Shipping data</b>	
Gross weight	<ul style="list-style-type: none"> <li>• light duty series • 165 lbs (75 kg)</li> <li>• heavy duty series • 185 lbs (85 kg)</li> </ul>
Packing dimensions	48 x 32 x 24 in. (1220 x 815 x 610 mm)
Harmonized Tariff Code	84145925
Country of origin	United States

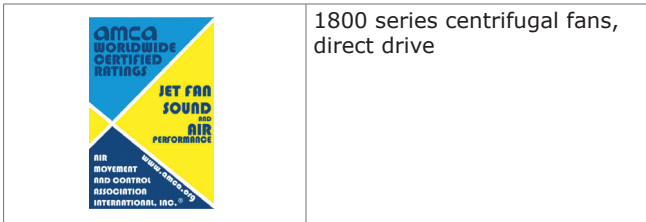
**DIMENSIONS**



**FEATURES & BENEFITS**

- Excellent movability
- 600 cfm at 4" WG, 800 cfm no load
- Integrated thermal breaker
- AMCA certified fan
- 9' electrical cord with 120V plug
- Installs in 5 minutes; pre-assembled fan and cart; push bar and hose supplied non-assembled

**APPROVALS/CERTIFICATES**



**AUTHORIZED PLYMOVENT DISTRIBUTOR**



Product type	<b>FumeCaddie™</b>
Article no.	
Product category	mobile extraction unit
Version	301020/0

Always check the latest version on [www.plymovent.com](http://www.plymovent.com)