

SPRING EXHAUST HOSE REEL (SER)

VEHICLE EXHAUST HOSE REEL

The Spring Exhaust Hose Reel (SER) uses an enclosed spring cassette to recoil the exhaust hose. An operator can pull down the hose to the desired position and pull down again to retract the hose.

SER is recommended for small to medium-sized working areas in which the hose needs to be stored when not in use - limiting potential damage to personnel and vehicles. The SER maximum lifting capacity is 40 lbs (18 kg). A dual spring option increases the lifting capacity to 75 lbs (34 kg).

APPLICATIONS

The SER spring-operated hose reel includes either one or two heavy-duty springs that are factory installed to the outside of the reel assembly; an operator pulls the hose down to a convenient position, which locks the hose in place; when no longer needed, the operator can pull down on the hose so that the hose recoils in a controlled manner.



SPECIFICATIONS

■ Lifting Capacity

Maximum load (hose and nozzle):

- One Spring: 40 lbs (18 kg)
- Dual Spring: 75 lbs (34 kg) - available for 850, 1050 and 1050-200 models only

■ Installation

On ceiling or wall; SER-450, 650, 850 and 1050 can be mounted to a pivoting boom assembly (not available for the SER-1050-200)

■ Model Range

SER-450 SER-650, SER-850, and SER-1050: 4 to 6 in. (100 to 150 mm) hoses

SER-1050-200 for 8 in. (200 mm) hose

Note: A hose mounting kit is needed for 450, 650, 850 and 1050 models, but not the 1050-200 model.

■ Order information

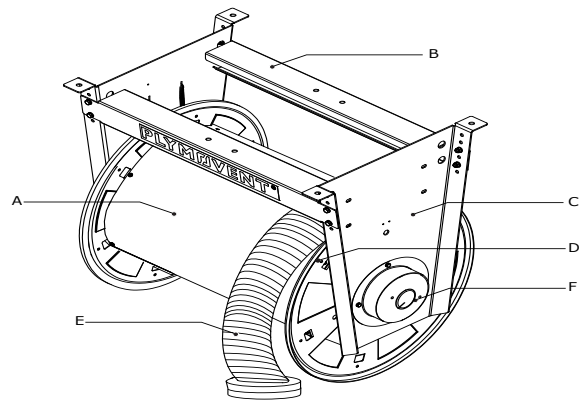
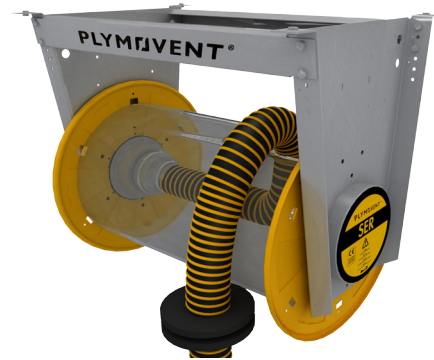
Article no.	see remaining specifications
Number/package	1 (Bolted on Skid)

■ Shipment Dimensions

47 in. wide x 30 in. wide x 40 in. high (1195 mm wide x 765 mm wide x 1020 mm high)

■ Hose Mounting Kits - includes hose stop, connection reducer and clamps.

MAS-100	4 in. (100 mm) hose
MAS-125	5 in. (125 mm) hose
MAS-150	6 in. (150 mm) hose



CONSTRUCTION

- A. Hose reel drum - smooth, zinc-plated drum on which the hose rolls; provides a secure and space-friendly storage location for the hose.
- B. Console - zinc-coated and powder-coated steel frame provides support and strength for longevity and robustness.
- C. A-Frame - Primered and powder-coated steel.
- D. Ratchet lock (not shown) holds the hose in the required position. The hose is released at the next pull.
- E. Hose - must be ordered separately; MAS kit contains a "hose stop" or ring that can be positioned to ensure adequate height when hose is recoiled.
- F. High-quality sealed coil spring cassette (an additional cassette can be factory installed to increase lifting capacity).

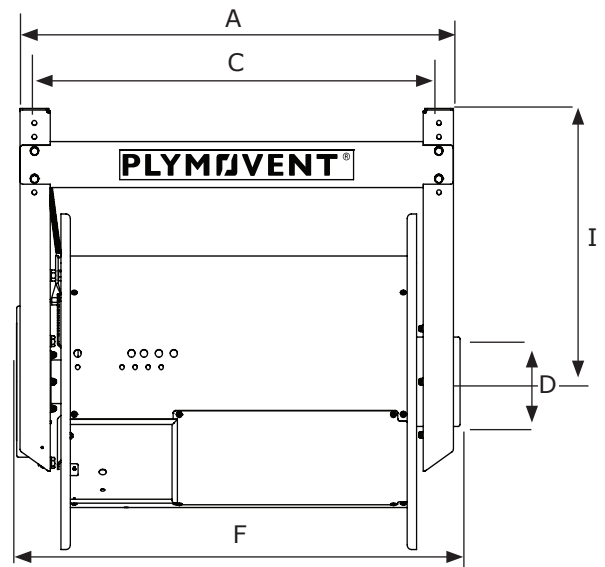
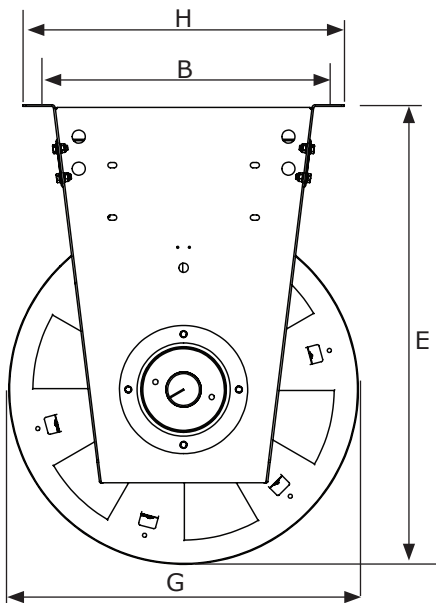
The spring cassette is located on the outside of the hose reel assembly, simplifying spring replacement if needed.

In addition, the spring is enclosed in a sealed metal casing to prevent the spring from coming out of the enclosure and causing injury during handling.

DIMENSIONS (NOMINAL)					
	SER-450	SER-650	SER-850	SER-1050	SER-1050-200
A	24.8 in. (630 mm)	32.7 in. (830 mm)	40.5 in. (1030 mm)	48.4 in. (1230 mm)	49.4 in. (1255 mm)
B	19.7 in. (500 mm)	19.7 in. (500 mm)	19.7 in. (500 mm)	19.7 in. (500 mm)	20.7 in. (527 mm)
C	22.6 in. (574 mm)	30.5 in. (774 mm)	38.3 in. (974 mm)	46.2 in. (1174 mm)	54 in. (1374 mm)
D	Ø 6.30 in. (160 mm)	Ø 6.3 in. (160 mm)	Ø 6.3 in. (160 mm)	Ø 6.3 in. (160 mm)	Ø 8 in. (200 mm)
E	31 in. (790 mm)	31.1 in. (790 mm)	31.1 in. (790 mm)	31.1 in. (790 mm)	38 in. (965 mm)
F*	25.6 in. (650 mm)	34.3 in. (870 mm)	42.1 in. (1070 mm)	50 in. (1270 mm)	51 in. (1295 mm)
G	23.6 in. (600 mm)	23.6 in. (600 mm)	23.6 in. (600 mm)	23.6 in. (600 mm)	29 in. (737 mm)
H	21.7 in. (552 mm)	21.7 in. (552 mm)	21.7 in. (552 mm)	21.7 in. (552 mm)	22.7 in. (578 mm)
I	19.2 in. (489 mm)	19.2 in. (489 mm)	19.2 in. (489 mm)	19.2 in. (489 mm)	23.2 in. (590 mm)

Note: For all US and Canada SER 4-6 in. (100-150 mm) models, a 6 to 6.25 in. (160 to 150 mm) duct connection reducer is provided.

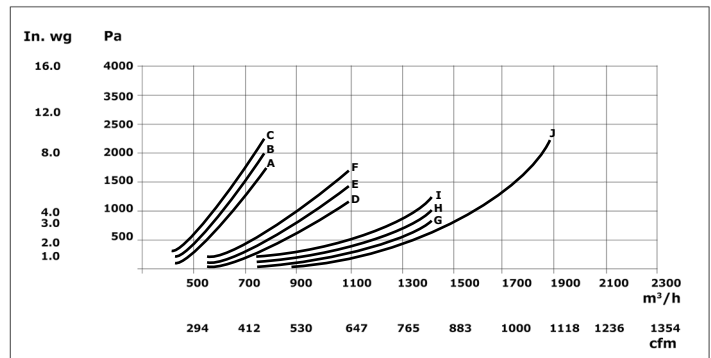
*When a second spring cassette is included, add 2.5 in. (63.5 mm).



PRESSURE LOSS

The chart on the right shows the pressure loss in the hose reel at different hose diameters and lengths. See next page for hose diameter recommendations based on airflow volume.

- A. Ø 4 in. (100 mm), length 25 ft (7,5 m)
- B. Ø 4 in. (100 mm), length 33 ft (10 m)
- C. Ø 4 in. (100 mm), length 41 ft (12,5 m)
- D. Ø 5 in. (125 mm), length 25 ft (7,5 m)
- E. Ø 5 in. (125 mm), length 33 ft (10 m)
- F. Ø 5 in. (125 mm), length 41 ft (12,5 m)
- G. Ø 6 in. (150 mm), length 25 ft (7,5 m)
- H. Ø 6 in. (150 mm), length 33 ft (10 m)
- I. Ø 6 in. (150 mm), length 41 ft (12,5 m)
- J. Ø 8 in. (200 mm), length 41 ft (12,5 m)



AIRFLOW VOLUME: GENERAL GUIDELINES		
Vehicles Serviced	cfm (m ³ /h)	Hose Diameter
Automobile	270-300 (460-510)	4 in. (100 mm)
Motorcycle	600-650 (1020-1105)	6 in. (150 mm)
Trucks (Public Works, Rental Fleets, etc.)	500-550 (850-935)	5 in. (125 mm)
Heavy Duty Trucks	650-800 (1020-1360)	6 in. (150 mm)
Off-Road (Constr., Compressor Tests, etc.)	1100-1400 (1900-2400)	8 in. (200 mm)

Note: Make sure the weight of the hose, hose stop and tailpipe adapter selected do not exceed the SER lifting capacity.

ACCESSORIES

Hose Types:

EG2 - High quality fabric composite hose designed for exhaust gas temperatures of 350°F (177°C) continuous. Spike temperature capability: 400°F (205°C). Recommended for areas that service cars and light trucks.



EF2 - High quality fabric composite hose designed for exhaust gas temperatures of 570°F (300°C) continuous. Spike temperature capability: 660°F (350°C). Recommended for areas that service heavy trucks and off-road vehicles.



Other hoses are available. Consult Plymovent for additional data and details.

Nozzles:

See separate data sheet for nozzles.



Fans:

See separate data sheets for FUA and TEV fans.



Hose Mounting Kit:

Kits includes U-clamp, hose stop, reducer and edge protection.

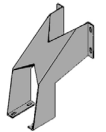


HOSE LENGTH RECOMMENDATIONS			
Prod.no.	Hose Diameter	Maximum Hose Length	Weight without Hose
SER-450-75	Ø 3 in. (75 mm)	24 ft (7,5 m)	97 lbs (44 kg)
SER-450-100	Ø 4 in. (100 mm)	20 ft (6 m)	97 lbs (44 kg)
SER-650-100*	Ø 4 in. (100 mm)	33 ft (10 m)	108 lbs (49 kg)
SER-650-125*	Ø 5 in. (125 mm)	25 ft (7,5 m)	108 lbs (49 kg)
SER-850-100	Ø 4 in. (100 mm)	32.8 ft (10 m)	119 lbs (54 kg)
SER-850-125	Ø 5 in. (125 mm)	36.1 ft (11 m)	119 lbs (54 kg)
SER-850-150	Ø 6 in. (150 mm)	32.8 ft (10 m)	119 lbs (54 kg)
SER-1050-100	Ø 4 in. (100 mm)	41 ft (12,5 m)	123 lbs (56 kg)
SER-1050-125	Ø 5 in. (125 mm)	41 ft (12,5 m)	123 lbs (56 kg)
SER-1050-150	Ø 6 in. (150 mm)	41 ft (12,5 m)	123 lbs (56 kg)
SER-1050-200	Ø 8 in. (200 mm)	32.8 ft (10 m)	123 lbs (56 kg)

*650 models are not available in USA and Canada.

Fan Mounting Kit:

Direct mount fans to hose reels are available: Plymovent fans include FUA-1800 to 2700 models, selected for the required airflow and static pressure. Consult Plymovent or your authorized distributor for details.



Micro Switch MSR-24/2:

Hose reel triggered automatic fan/damper start/stop.



Fan Starters:

Allows remote start of fan triggered by the hose reel. Choose from SA-24, ES-90, and DCV, including magnetic coil contractors, overload, transformer and fuses. UL/CE CSA Listed.



Motor-driven Damper:

MD-160 or 200: Motorized damper Ø 6.3 or 8 in. (Ø 160 or 200 mm). Power supply: 24 VAC. Open and close speed: 8 seconds.



Transformer TR-24:




Transformer 115/230 to 24 VAC to supply motor-driven dampers when no other control equipment is used.





Plymovent Corp.
5 Corporate Drive
Cranbury, NJ 08512
USA

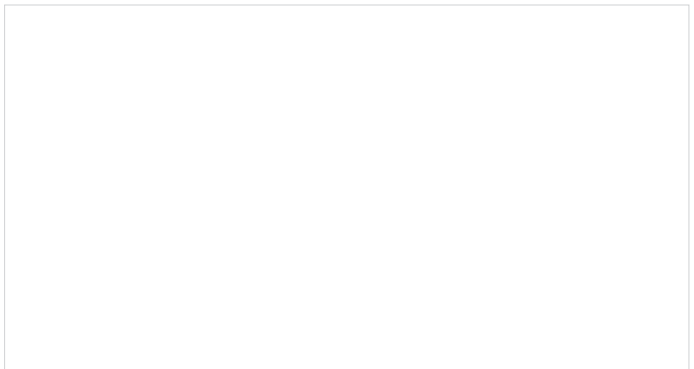
T +1 800 644 0911
T +1 609 395 3500
F +1 609 655 0569
E info.usa@plymovent.com

 plymoventusa  @plymoventusa  plymoventusa

Plymovent Corp. is ISO 9001:2015 Certified.



Plymovent Authorized Distributor:



Product type	SER™
Article no.	see remaining specifications
Product category	hose reels
Version	042319/2

Always check the latest version on www.plymovent.com